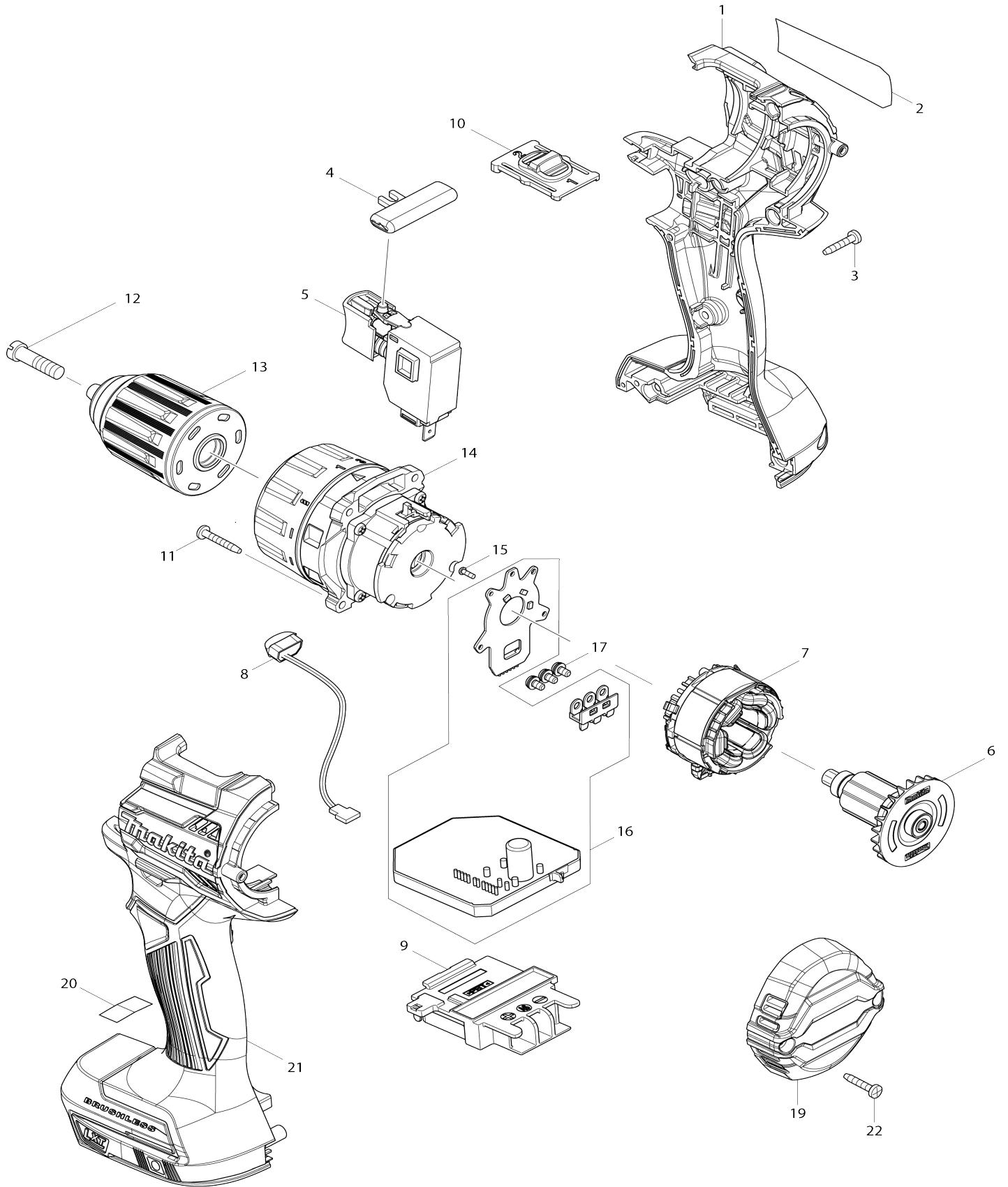


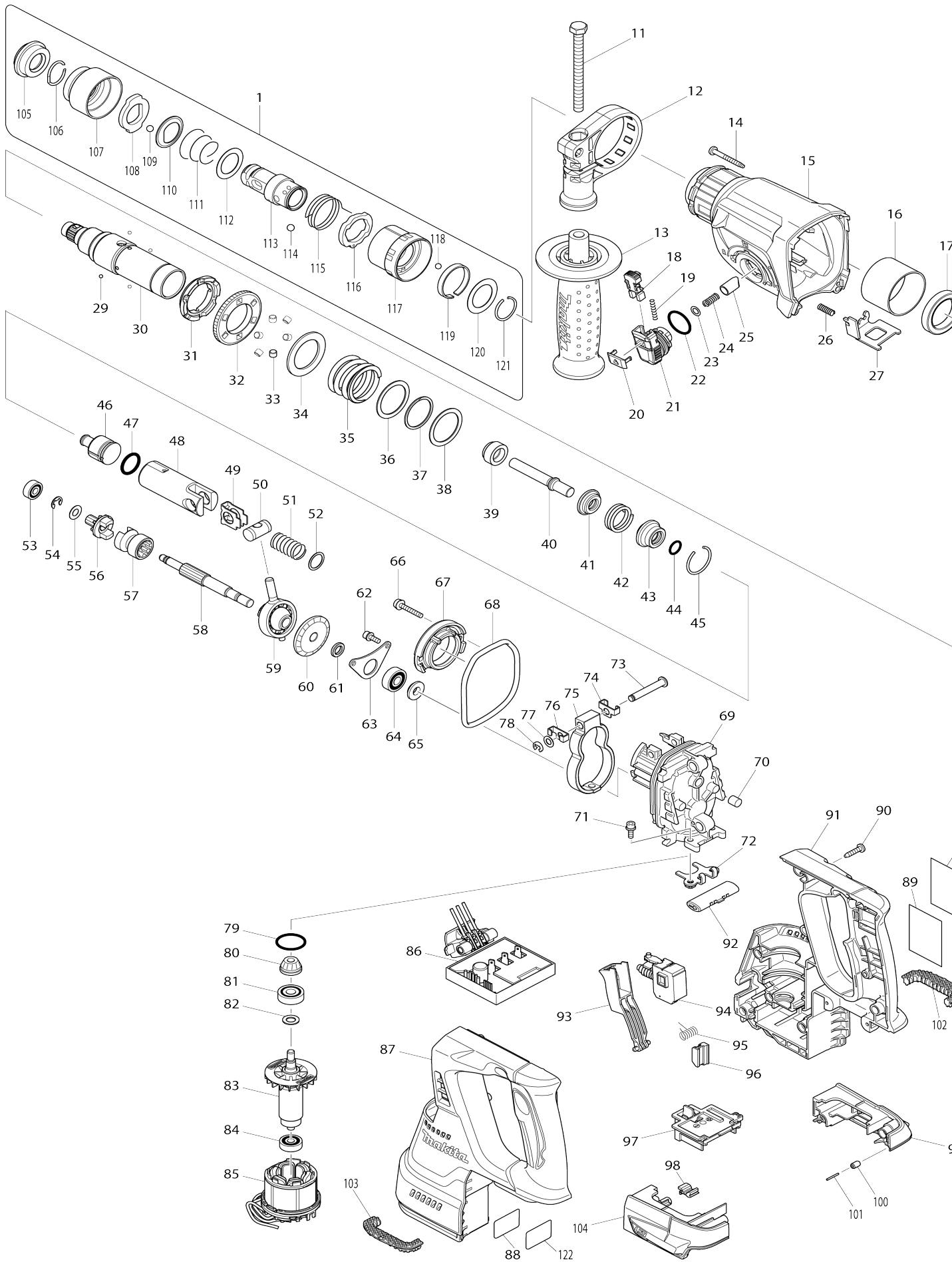
Model No.DDF484 CORDLESS DRIVER DRILL



Item No.	Parts No.	Description
001	183E71-3	HOUSING SET
C10	263005-3	RUBBER PIN 6
C20	252126-6	HEX. LOCK NUT M4-7
001		INC. 21
001-1	183L79-9	HOUSING SET
C10	263005-3	RUBBER PIN 6
C20	252126-6	HEX. LOCK NUT M4-7
C21	252303-0	HEX. LOCK NUT M4-7
001-1		INC. 21
002	852M14-1	DDF484 NAME PLATE
003	266429-2	TAPPING SCREW 3X16
003-1	266130-9	TAPPING SCREW BIND PT 3X16
004	419041-9	F/R CHANGE LEVER
005	650710-5	SWITCH C3JW-4B
005-1	650006-4	SWITCH TGRK2-1
006	619406-7	ROTOR
006-1	619406-7	ROTOR
007	629225-3	STATOR
008	620549-0	LED CIRCUIT
009	643874-2	TERMINAL
010	123738-1	SPEED CHANGE LEVER ASSEMBLY
C10	233438-6	COMPRESSION SPRING 4
011	251497-8	TAPPING SCREW 3X20
011-1	265D32-0	TAPPING SCREW 3X20
012	251468-5	- FLAT HEAD SCREW M6X22
013	766027-7	KEYLESS DRILL CHUCK 13
014	123737-3	GEAR ASSEMBLY
014-1	127500-6	GEAR ASSEMBLY
015	266490-9	TAPPING SCREW PT 2X6
015-1	265C47-1	TAPPING SCREW PT 2X6
016	620548-2	CONTROLLER
017	652069-6	FLAT HEAD SCREW M3X6
019	456967-4	REAR COVER
021	183E71-3	HOUSING SET
C10	263005-3	RUBBER PIN 6
C20	252126-6	HEX. LOCK NUT M4-7
021		INC. 1
021-1	183L79-9	HOUSING SET
C10	263005-3	RUBBER PIN 6
C20	252126-6	HEX. LOCK NUT M4-7
C21	252303-0	HEX. LOCK NUT M4-7
021-1		INC. 1
022	266429-2	TAPPING SCREW 3X16
022-1	266130-9	TAPPING SCREW BIND PT 3X16
A01	251314-2	+ TRUSS HEAD SCREW M4X12
A02	346317-0	HOOK
A02	346449-3	HOOK

A03	784637-8	+ - BIT 2-45
A04	158597-4	PLASTIC CASE COMPLETE
C10	417724-5	LATCH
A05	450128-8	BATTERY COVER
A06	***DC18RC	DC18RC FAST CHARGER
A06		COMPO-PARTS
A07	197600-6	BATTERY BL1830B SET
A07	197265-4	BATTERY BL1840B SET
A07	197280-8	BATTERY BL1850B SET
A07-1	197600-6	BATTERY BL1830B SET
A07-1	197265-4	BATTERY BL1840B SET
A07-1	197280-8	BATTERY BL1850B SET
A08	196235-0	BATTERY BL1815N SET
F05	191E41-8	GRIP ASSEMBLY SET

Model No.DHR243 24MM CORDLESS COMBI. HAMMER



Model No.DHR243 24MM CORDLESS COMBI. HAMMER

Item No.	Parts No.	Description
001	194080-7	TOOL HOLDER SET
001		INC. 105-121
011	266745-2	HEX.BOLT M8X90
012	453129-5	GRIP BASE
013	158057-6	GRIP 36 COMPLETE
014	266351-3	TAPPING SCREW 4X35
014-1	265B69-5	TAPPING SCREW 4X35
015	141229-0	GEAR HOUSING COMPLETE
C10	213345-9	OIL SEAL 25
C20	890903-4	INDICATION LABEL
015-1	144354-6	GEAR HOUSING COMPLETE
C10	213345-9	OIL SEAL 25
C20	810X86-8	INDICATION LABEL
016	331890-3	CUP SLEEVE
017	211294-4	BALL BEARING 6806LLU
018	454112-5	LOCK BUTTON
019	234264-6	COMPRESSION SPRING 3
020	453131-8	CHANGE LEVER COVER
021	453125-3	CHANGE LEVER
022	213381-5	O RING 21
023	253308-3	THIN WASHER 6
024	234147-0	COMPRESSION SPRING 5
025	325785-0	PUSH CORN
025-1	326850-8	PUSH CORN
026	233360-7	COMPRESSION SPRING 4
027	346537-6	LOCK PLATE
029	216019-1	STEEL BALL 3
029-1	216061-2	STEEL BALL 3
030	140266-1	TOOL HOLDERGUIDE COMPLETE
031	313149-0	DRIVING FLANGE
031-1	332139-4	DRIVING FLANGE
032	227232-6	SPUR GEAR 51
032-1	227360-7	SPUR GEAR 51
033	268226-2	PIN 6
034	267414-8	FLAT WASHER 30
035	234148-8	COMPRESSION SPRING 31
036	267153-0	FLAT WASHER 30
037	257932-4	SPIRO LOCK WASHER 30
038	267153-0	FLAT WASHER 30
039	325783-4	SLEEVE 9B
040	325791-5	IMPACT BOLT B
041	325792-3	WASHER 10
042	234149-6	COMPRESSION SPRING 20
043	325793-1	O-RING CASE B
044	213073-6	O RING 9
045	233979-2	RING SPRING 28
046	326139-4	STRIKER

047	213258-4	O RING 17.5
048	310345-1	PISTON CYLINDER
049	346036-8	GUIDE PLATE
050	324215-8	PISTON JOINT
051	234098-7	COMPRESSION SPRING 14
052	267447-3	FLAT WASHER 14
053	211012-0	BALL BEARING 606ZZ
054	257336-0	STOP RING EXT U-6
055	253186-1	FLAT WASHER 7
056	227231-8	SPUR GEAR 10
057	331814-9	CLUTCH CAM A
057-1	326849-3	CLUTCH CAM A
058	326140-9	CAM SHAFT
059	219020-5	SWASH BEARING 10
060	227588-7	SPIRAL BEVEL GEAR 32
061	257323-9	RING 8
062	922118-6	HEX. SOCKET HEAD BOLT M4X12
063	346038-4	BEARING RETAINER B
064	211032-4	BALL BEARING 608ZZ
065	324212-4	RING 8
066	922147-9	HEX. SOCKET HEAD BOLT M4X25
067	141230-5	INNER SUPPORT COMPLETE
068	213767-3	O-RING 75
069	318810-4	INNER HOUSING
070	443153-6	FELT
071	922118-6	HEX. SOCKET HEAD BOLT M4X12
072	346536-8	BEARING RETAINER A
073	256536-9	FLAT FILLISTER HD PIN 6
074	346538-4	WEIGHT HOLDER GUIDE
075	313224-2	COUNTER WEIGHT
076	346538-4	WEIGHT HOLDER GUIDE
077	253726-5	FLAT WASHER 6
078	961018-5	STOP RING E-5
079	213008-7	O RING 22.4
080	141458-5	SPIRAL BEVEL GEAR 11 COMPLETE
081	210024-0	BALL BEARING 608LLU
082	253835-0	FLAT WASHER 8
083	619293-4	ROTOR
083-1	619737-4	ROTOR
083-1		INC. 80-82,84
084	210022-4	BALL BEARING 626DDW
085	629922-1	STATOR
085-1	529922-0	STATOR ASS'Y
085-2	529187-4	STATOR ASS'Y
086	620241-8	CONTROLLER
086-1	620G68-8	CONTROLLER
087-1	183A34-5	HOUSING SET
087-1		INC. 91
087-2	183C02-0	HOUSING SET
087-2		INC. 91
087-3	183C02-0	HOUSING SET

087-3		INC. 91
088	815B50-2	DHR243 SERIAL NO. LABEL
089	815B44-7	DHR243 NAME PLATE
090	266326-2	TAPPING SCREW 4X18
090-1	266326-2	TAPPING SCREW 4X18
090-2	265B67-9	TAPPING SCREW 4X18
091-1	183A34-5	HOUSING SET
091-1		INC. 87
091-2	183C02-0	HOUSING SET
091-2		INC. 87
091-3	183C02-0	HOUSING SET
091-3		INC. 87
092	453124-5	F/R CHANGE LEVER
093	453123-7	SWITCH LEVER
094	650709-0	SWITCH C3JW-1A-P
095	233598-4	TORSION SPRING 6
096	313226-8	OPENER
097	644808-8	TERMINAL
098	424476-1	CUSHION
099	187377-1	BATTERY HOUSING SET
C10	263005-3	RUBBER PIN 6
099		INC. 104
100	263036-2	RUBBER PIN 5
101	268184-2	PIN 1.5
102	424473-7	CUSHION RUBBER
103	424473-7	CUSHION RUBBER
104	187377-1	BATTERY HOUSING SET
C10	263005-3	RUBBER PIN 6
104		INC. 99
105	286263-4	CAP 35
106	233940-9	RING SPRING 19
107	418217-5	CHUCK COVER
108	345333-9	STOPPER
109	216022-2	STEEL BALL 7.0
110	345187-4	GUIDE WASHER
111	233916-6	CONICAL COMP. SPRING 21-29
112	267279-8	FLAT WASHER 21
113	324355-2	TOOL HOLDER
114	216013-3	STEEL BALL 6
114-1	216062-0	STEEL BALL 6
115	231669-1	TORSION SPRING 31
116	345334-7	CHANGE RING
117	418218-3	CHANGE COVER
118	216018-3	STEEL BALL 5.0
119	345335-5	LEAF SPRING
120	267270-6	FLAT WASHER 24
121	233924-7	RING SPRING 21
122	893072-0	CLEAR LABEL
123	890994-5	CLEAR LABEL
124	424734-5	SPONGE
A01	324219-0	DEPTH GAUGE
A02	194079-2	DRILL CHUCK SET

C10	251425-3	- FLAT HEAD SCREW M6X22
C20	324353-6	CHUCK HOLDER
C30	418216-7	SPACER
A02-1	194079-2	DRILL CHUCK SET
C20	324353-6	CHUCK HOLDER
C30	418216-7	SPACER
A02-2	194079-2	DRILL CHUCK SET
C20	324353-6	CHUCK HOLDER
C30	418216-7	SPACER
A03	***DC18RC	DC18RC FAST CHARGER
A04-1	194204-5	BATTERY BL1830 SET
A04-1	197280-8	BATTERY BL1850B SET
A04-1	197422-4	BATTERY BL1860B SET
A04-2	197600-6	BATTERY BL1830B SET
A04-2	197280-8	BATTERY BL1850B SET
A04-2	197422-4	BATTERY BL1860B SET
A04-3	197600-6	BATTERY BL1830B SET
A04-3	197280-8	BATTERY BL1850B SET
A05	450128-8	BATTERY COVER
A05-1	450128-8	BATTERY COVER
A06	821552-6	CONNECTOR PLASTIC CASE (TYPE4)
C10	453974-8	LATCH
A06	141401-4	PLASTIC CASE COMPLETE
C10	162271-8	LATCH
C20	890904-2	INDICATION LABEL
A06-1	144708-7	CONNECTOR P.CASE TYPE4 COMPLETE
C10	453974-8	LATCH
A07	837649-1	INNER TRAY
A07	802M41-8	DHR243RFE PLASTIC CASE LABEL
A07	837677-6	INNER TRAY
A07	810W70-7	DHR243RGE PLASTIC CASE LABEL
A07	839230-4	INNER TRAY
A07	835A31-4	INNER TRAY
A07-1	835A31-4	INNER TRAY
A08	802M29-8	DHR243RFJ INDICATION LABEL
A08	802M31-1	DHR243RFJV INDICATION LABEL
A08	805R30-2	DHR243RTJ INDICATION LABEL
A08	812U28-0	DHR243RTJ1 INDICATION LABEL
A08	818X86-2	DHR243RFJW INDICATION LABEL
A08	8033W3-0	DHR243T3JW INDICATION LABEL
A09	802M32-9	DHR243RFJ PLASTIC CASE LABEL
A09	807G91-2	DHR243RFJV PLASTIC CASE LABEL
A09	809N51-2	DHR243RTJ PLASTIC CASE LABEL
A09	812U29-8	DHR243RTJ1 PLASTIC CASE LABEL
A09	818X87-0	DHR243RFJW PLASTIC CASE LABEL
A09	8067E6-1	DHR243T3JW PLASTIC CASE LABEL

A09-1	802M34-5	DHR243RFJV PLASTIC CASE LABEL
A09-1	805R31-0	DHR243RTJ PLASTIC CASE LABEL
A10	***DX02	DUST EXTRACTION SYSTEM
A10		COMPO-PARTS
A10		INC. A11
A10	***DX07	DUST EXTRACTION SYSTEM
A11	424474-5	SEALING CAP
A11-1	422784-4	SEALING CAP
A13	837349-3	SPONGE 50-50
B01	195834-5	HAMMER SERVICE KIT
C10	195127-0	OIL VESSEL SET
B01		INC. 44,45,47,105,109
F37-3	197606-4	BATTERY BL1830B SET (2PIECES)
F48-1	199977-5	DUST CASE SET
F50-1	199557-7	FILTER SET
F52-3	197267-0	BATTERY BL1840B SET
F53-3	197265-4	BATTERY BL1840B SET
F54-3	197273-5	BATTERY BL1840B SET(2PIECES)
F56-2	196235-0	BATTERY BL1815N SET
F57-1	196449-1	BATTERY BL1815N SET
F58-2	196449-1	BATTERY BL1815N SET
F66	199573-9	DX07DUST EXTRACTION SYSTEM SET
G12	1914X3-8	DUST EXTRACTION PAD SET